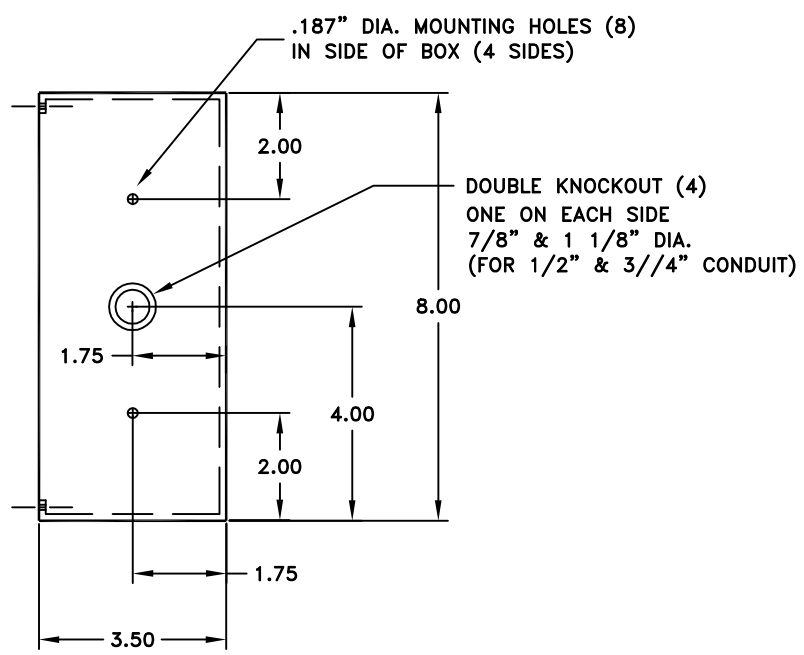
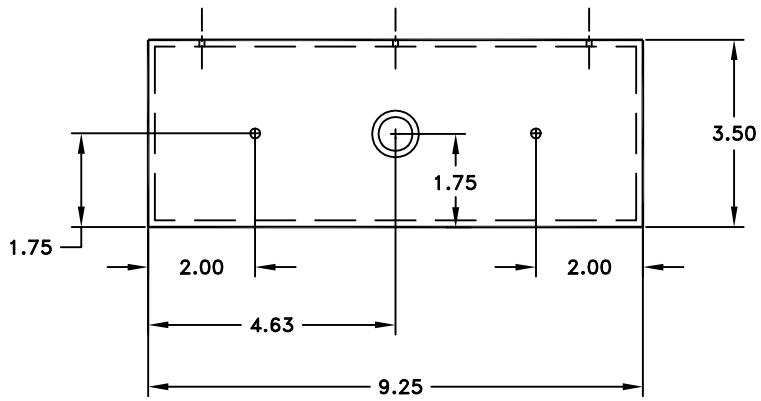


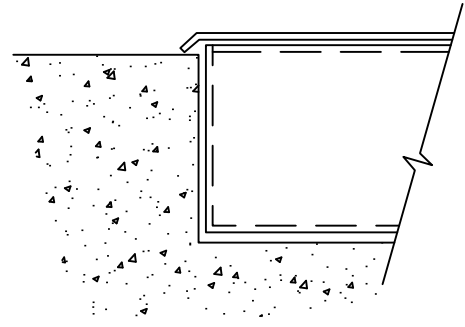
TOP



END



SIDE



SECTION WITH COVER

NOTES:
1) MATERIAL-16 GA CRS
2) FINISH-GALVANIZED OR PAINTED
(BACKBOX FOR D498 AND D883 SERIES)

REV 3, SMS, 2/1/02, ADDED 2 MOUNTING HOLES
REV 2, SMS, 3/22/01, REVISED FOR MTG HOLES
REV 1, SMS, 10/20/99, ADDED 4 KNOCKOUTS

AUTOMATION DISPLAYS INC.			
AUTOMATION DISPLAYS, INC			
D SCALE	DRAWN BY WES	DATE 11-18-97	REV NO. 3
			DRAWING NO. 9985-100A