

AD SPECIFICATION SHEET

PB-100 Touch Activated Switch Rev. 1

Part No. PB-100

Description:

The PB-100 touch activated switch, manufactured by Automation Displays, Inc., is an integral component of the Auto-Face V Touch Switch & Indicator Panel. Touch activated switches are mounted behind the aluminum substrate with easily removed machine screws. Additionally, each switch is wired with a two wire Mini-Molex push-on connector to facilitate quick connection. This manner of switch installation makes individual switch replacement easy and efficient.

Switch Configurations:

Standard switch configurations are 1, 2 and 3 bays. Other multiple bay configurations are available.

Note:

The average effective force for the touch activated switch is 600 ± 150 grams when installed in an Auto-Face V Touch Switch & Indicator Panel.

Electrical Specifications:

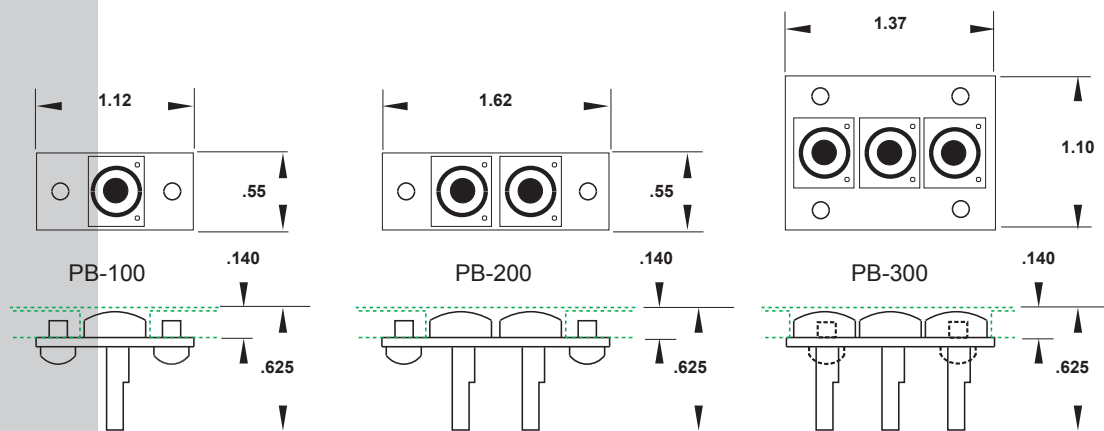
Contact config: Form A, SPST, momentary, normally open
Current/voltage: 40mA at 24 VDC into resistive load only
Breakdown volt: Over 250 volts
Contact resistance: MOS, TTL, DTL compatible

Mechanical Specifications:

Life Expectancy: 5 million operations
Total travel: .015 in. nominal
Pre-travel: .012 in. nominal
Over-travel: .003 in. nominal
Activation force: 220 grams \pm 30grams
Storage temp.: -40° C to $+75^{\circ}$ C
Operating temp.: 0° C to $+50^{\circ}$ C
Humidity: 0 to 98% (non-condensing)
PCB: NEMA FR-4, Grade 10, glass epoxy

2 pin header connector:

Molex 22 23 2021



Automation Displays, Inc.

3533 N. White Avenue, Eau Claire, WI 54703

Telephone:(715) 834-9595 Fax:(715) 834-9596 www.adipanel.com email:adi@adipanel.com