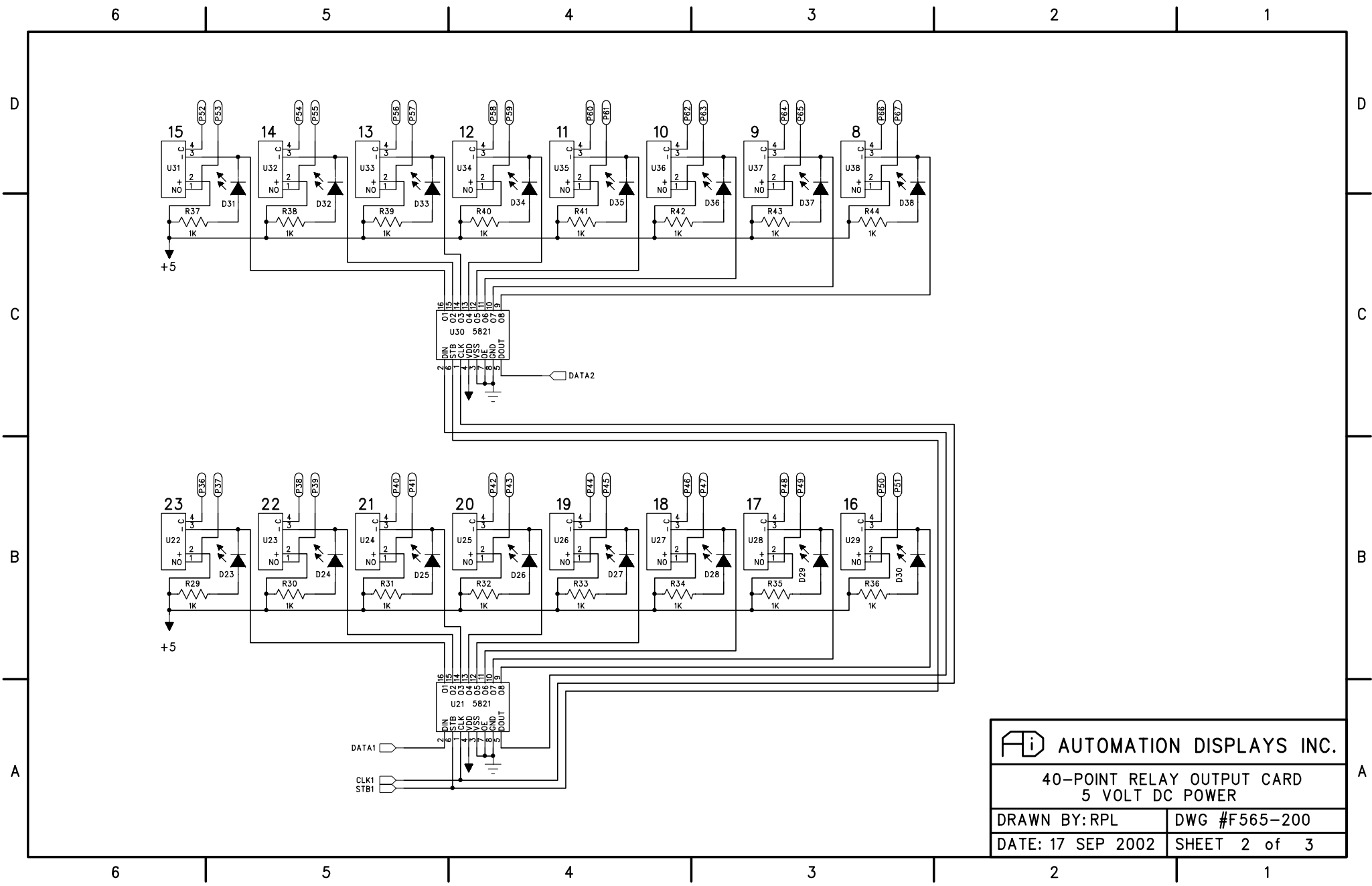
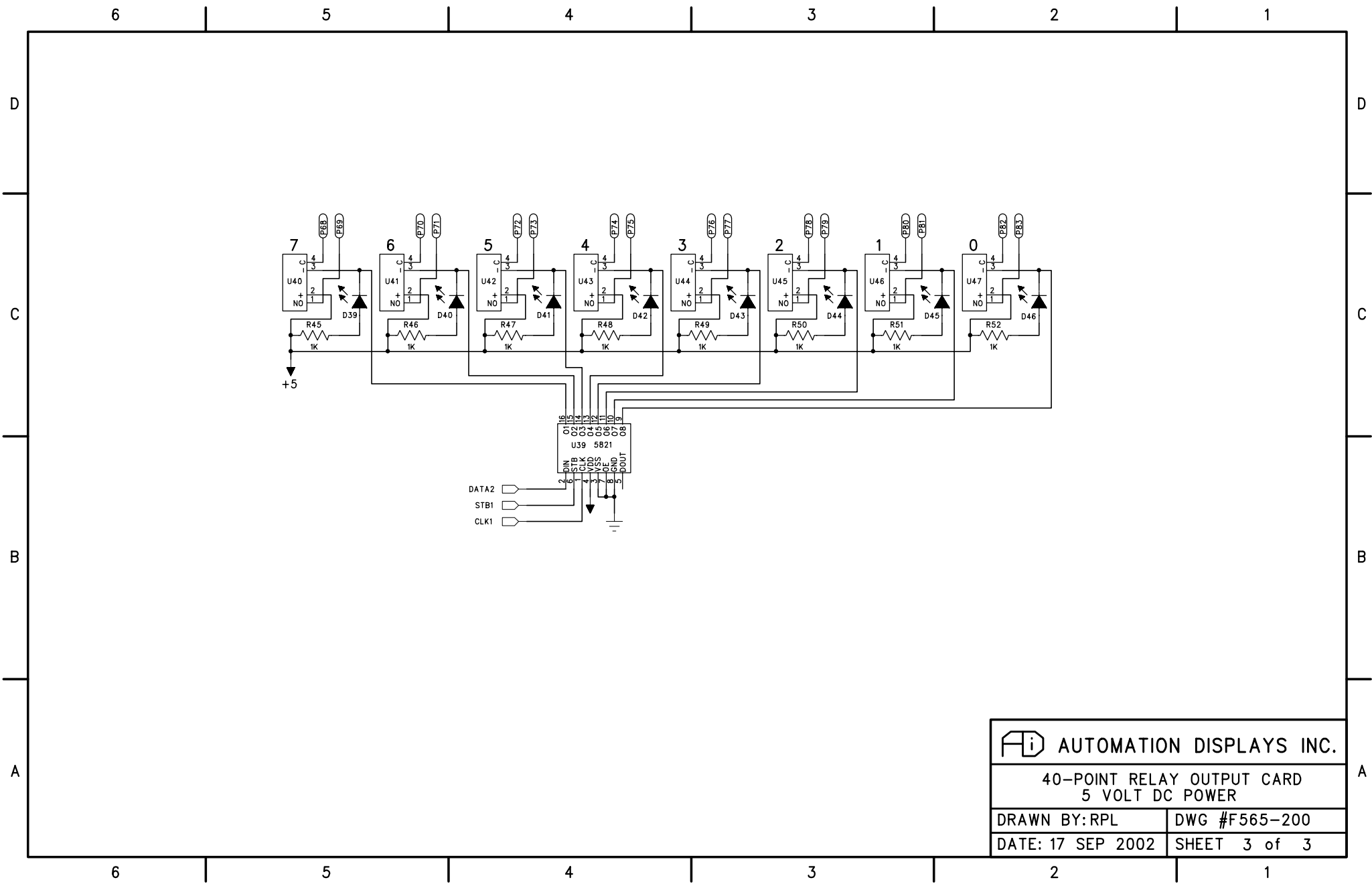
 AUTOMATION DISPLAYS INC.	
40-POINT RELAY OUTPUT CARD 5 VOLT DC POWER	
DRAWN BY: RPL	DWG #F565-200
DATE: 17 SEP 2002	SHEET 1 of 3

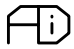


AD AUTOMATION DISPLAYS INC.

40-POINT RELAY OUTPUT CARD
5 VOLT DC POWER

DRAWN BY: RPL	DWG #F565-200
DATE: 17 SEP 2002	SHEET 2 of 3



 AUTOMATION DISPLAYS INC.	
40-POINT RELAY OUTPUT CARD 5 VOLT DC POWER	
DRAWN BY: RPL	DWG #F565-200
DATE: 17 SEP 2002	SHEET 3 of 3

