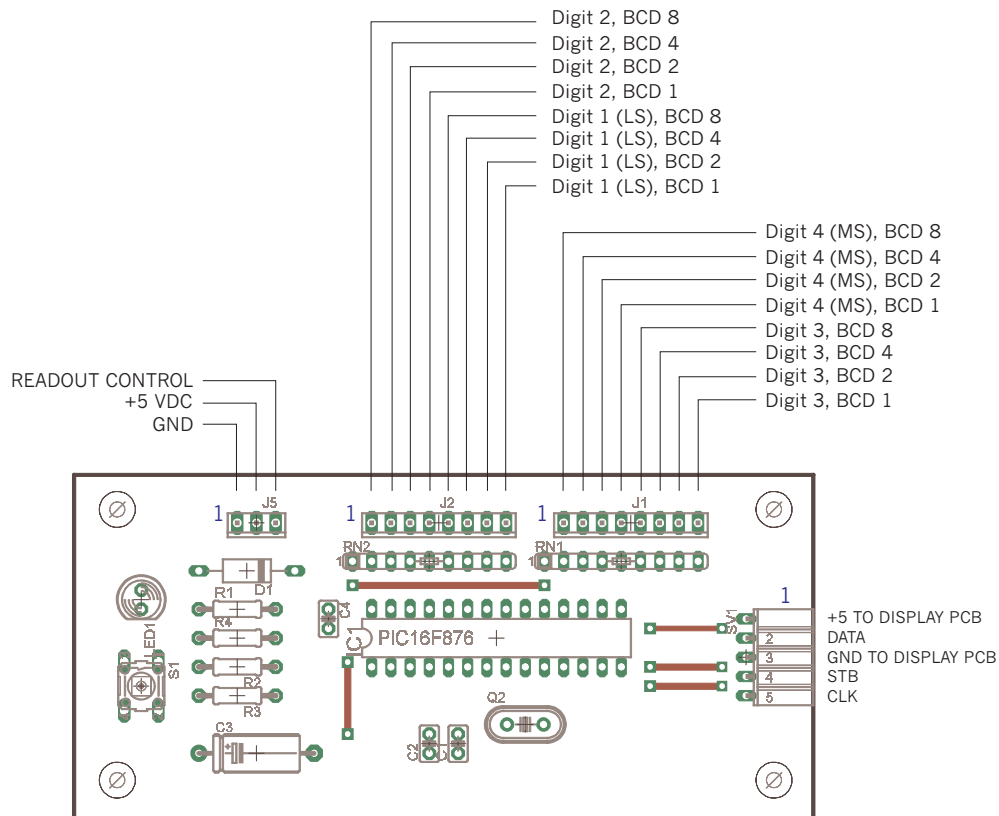


PCB H552-RD READOUT DRIVER LOADING AND WIRING DIAGRAM



PARTS LIST:

- C1, C2 - 20pF Capacitor
- C3 - 10uF Electrolytic cap
- C4 - 0.1uF cap
- D1 - 1N4004 Diode
- IC1 - PIC16F876 (Use Socket)
- J1, J2 - 0.1" Header, 8 pin
- J5 - 0.1" Header, 3 pin
- LED1 - T1 or T1 3/4 LED
- Q2 - 4 Mhz Crystal
- R1 - 6.8K Resistor
- R2 - 100 Ohm Resistor
- R3 - 330 Ohm Resistor
- R4 - 4.7K Resistor
- RN1, RN2 - 4.7K Resistor Pack with common terminal
- S1 - Mini Pushbutton Switch. Panasonic EVQ-QS205K or Omron B3F-1022.
- SV1 - 0.1" Header, 5 pin, right angle.

4 Standoffs