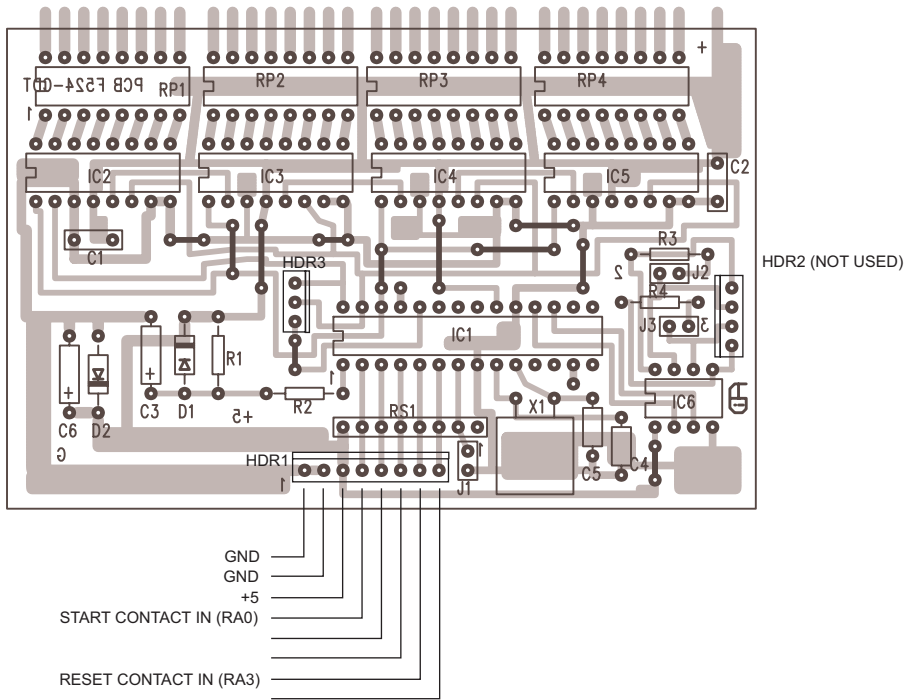
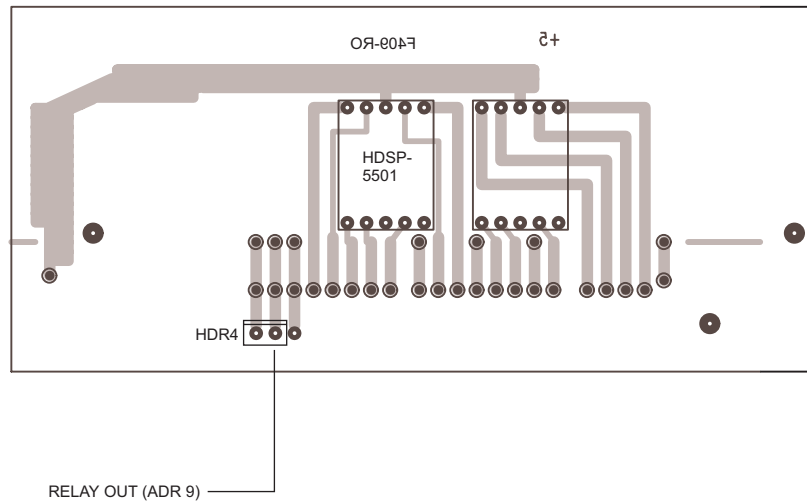


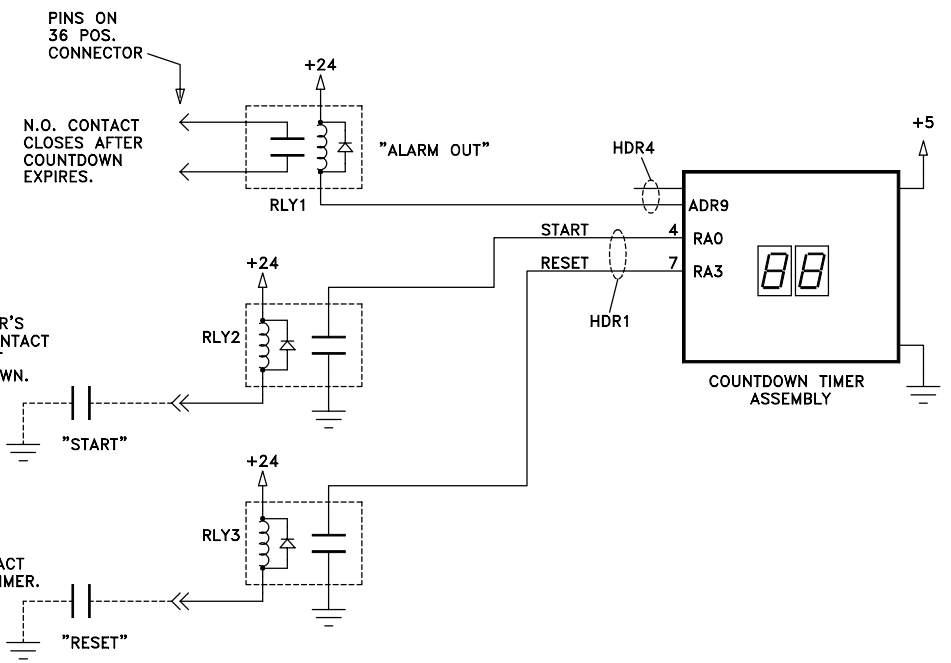
COUNTDOWN TIMER CONNECTIONS

DRIVER PCB
COMPONENT SIDE



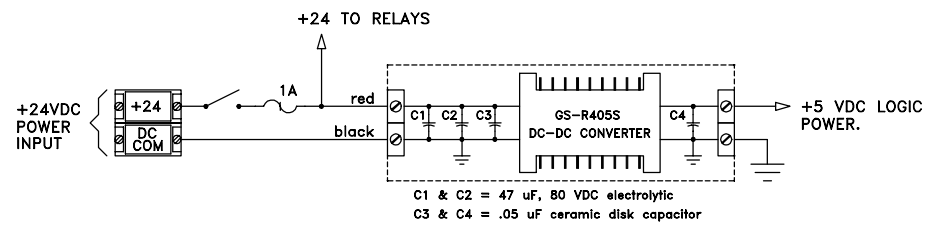
READOUT PCB
COMPONENT SIDE





ASSEMBLY USES:
 F409-R0
 READOUT HEAD PCB
 F524-CDT
 LOGIC PCB
 SEE "F409 CDT WIRING.CDR"
 FOR CONNECTOR LAYOUT.

OPERATION:
 TIMER NORMALLY DISPLAYS DEFAULT COUNTDOWN TIME OF 10 SECONDS.
 WHEN "START" CONTACT CLOSES, TIMER STARTS COUNTING DOWN.
 TIMER WILL CONTINUE COUNTING DOWN AS LONG AS CONTACT IS CLOSED.
 IF CONTACT OPENS, TIMER WILL STOP AND DISPLAY THE TIME REMAINING (EX. 3 SECONDS).
 IF CONTACT CLOSES AGAIN, THE TIMER WILL RESUME COUNTDOWN.
 WHEN TIMER REACHES ZERO, IT WILL CLOSE THE CONTACT ON RLY1.
 WHEN "RESET" CONTACT CLOSES, TIMER WILL OPEN CONTACT ON RLY1 AND THE TIMER WILL DISPLAY 10 SECONDS.



REF: SOUTH WESTERN COMMUNICATIONS.
 COASTAL STATE PRISON MEDICAL UNIT.
 SO. 27011, AFD-J212

AD AUTOMATION DISPLAYS INC.	
ELECTRICAL BLOCK DIAGRAM COUNTDOWN TIMER	
A DRAWN BY: TN	DWG # J212-301
DATE: 20 SEP 2005	SHEET 1 OF 1

