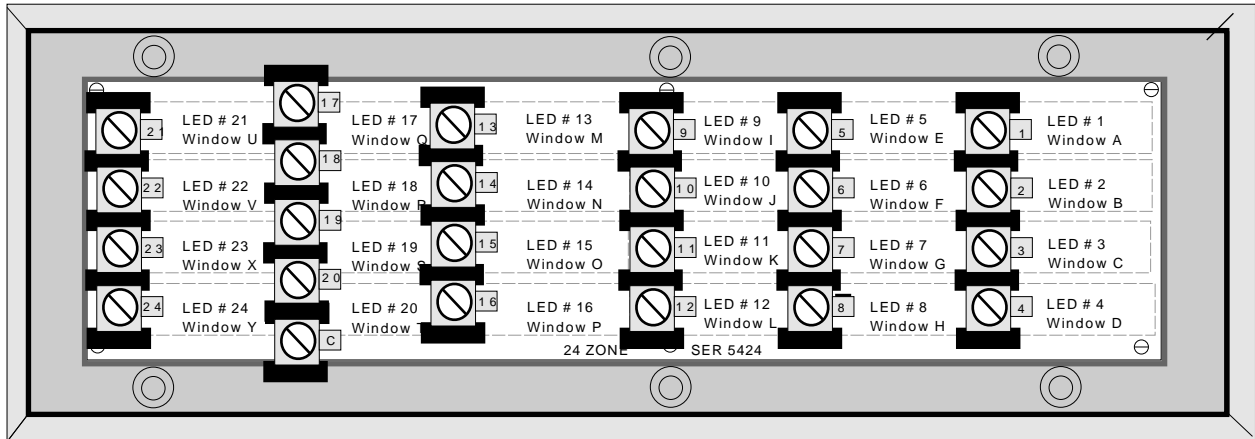
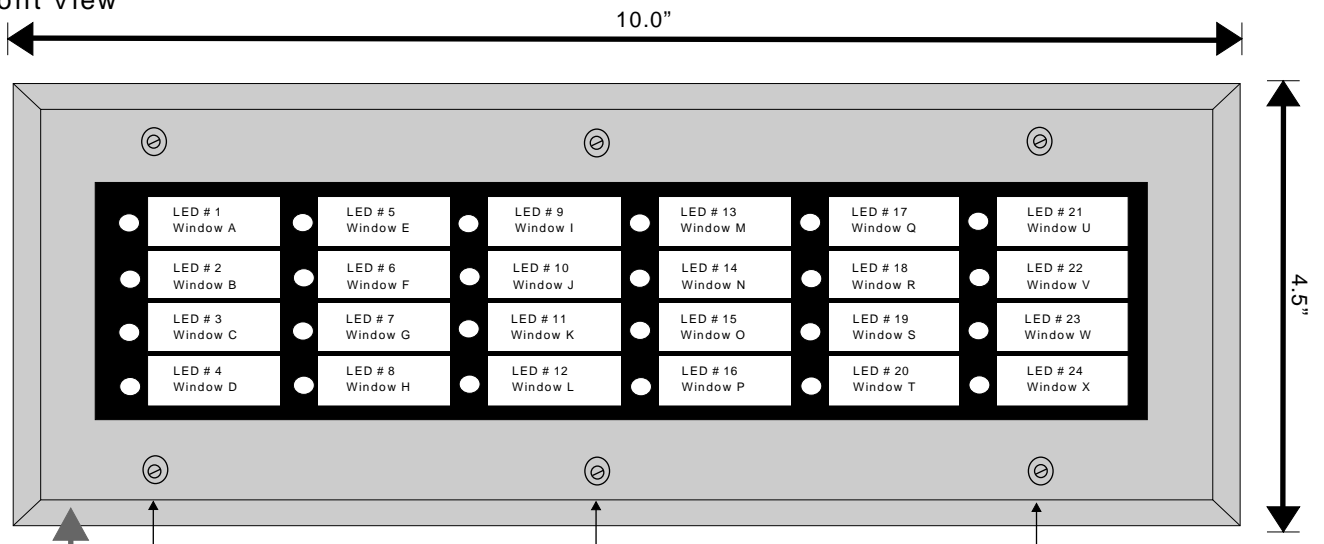


Back View



Front View

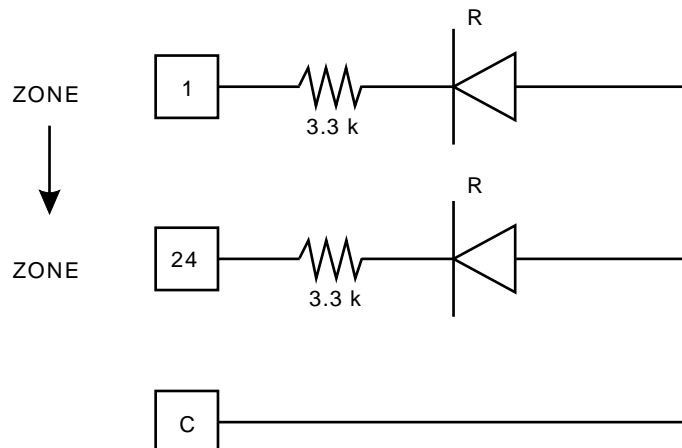


\*\*Unit mounts in five (5) gang electrical box supplied by the electrical contractor

Stainless Steel  
Trim Ring

\*\*\*Mount unit to electrical box with the six (6) screws included with the unit

Schematic



Notes :

1. Schematic shows positive common.
2. 24 VDC Lo-true input (DC Gnd).
3. All LEDs are red unless noted.
4. All resistors are 3.3K ½ w unless noted.
5. Operating voltage range: 22.5 to 25.5 VDC
6. Maximum current ratings:

Model	Max Current	LEDs	Audible Alarms
SER-5424	175 MA	24	0