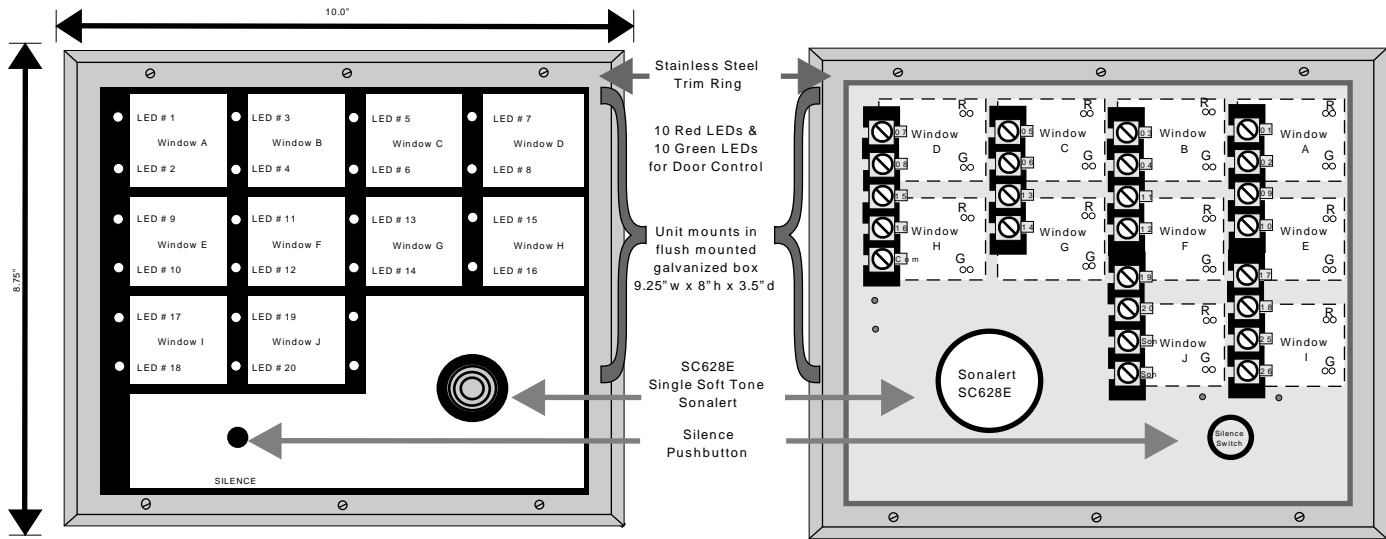
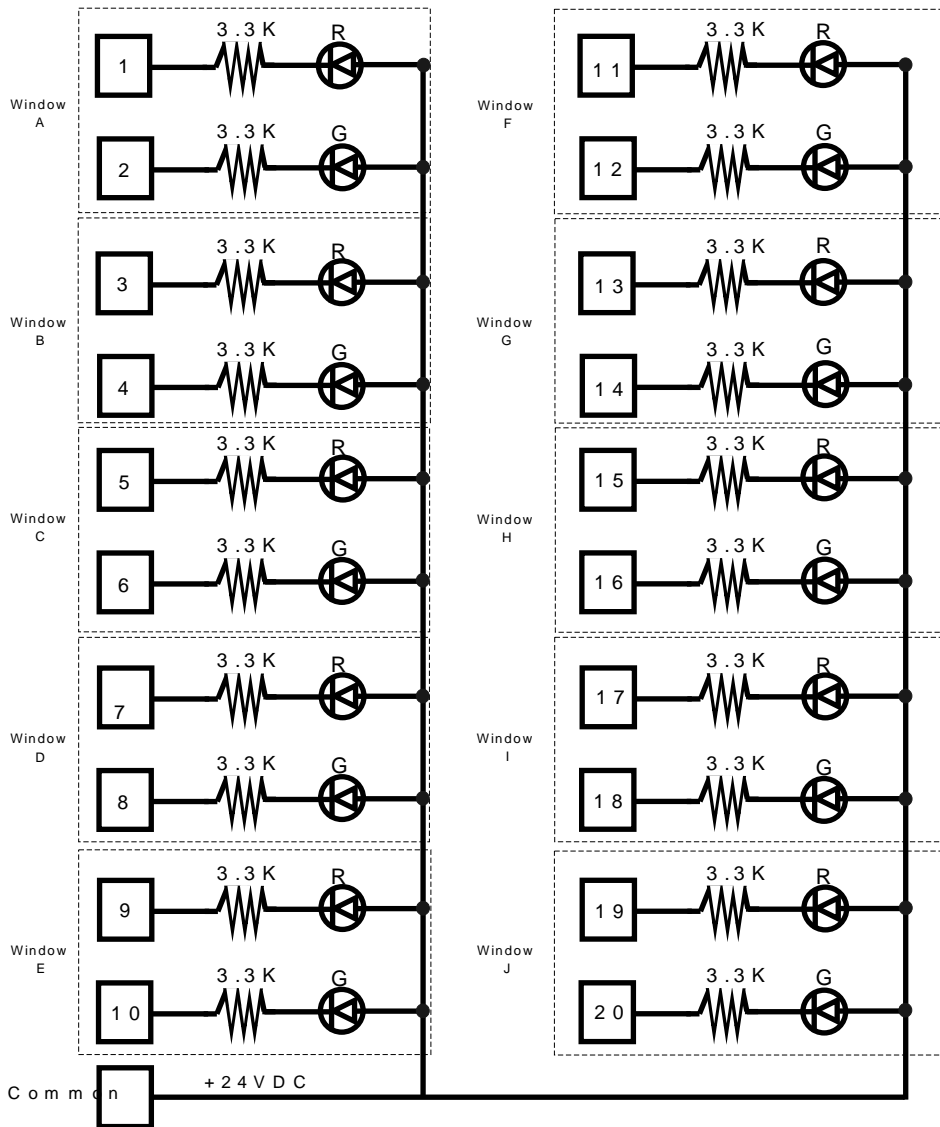


Front View

Back View



Schematic



Notes:

1. All resistors are 3.3K ½ w unless noted
2. Schematic show s positive common
3. Operating voltage range: 22.5 to 25.5 VDC
4. Maximum current ratings:

Model	Max Current	LEDs	Audible Alarms
SER-D498A	175 MA	20	1

