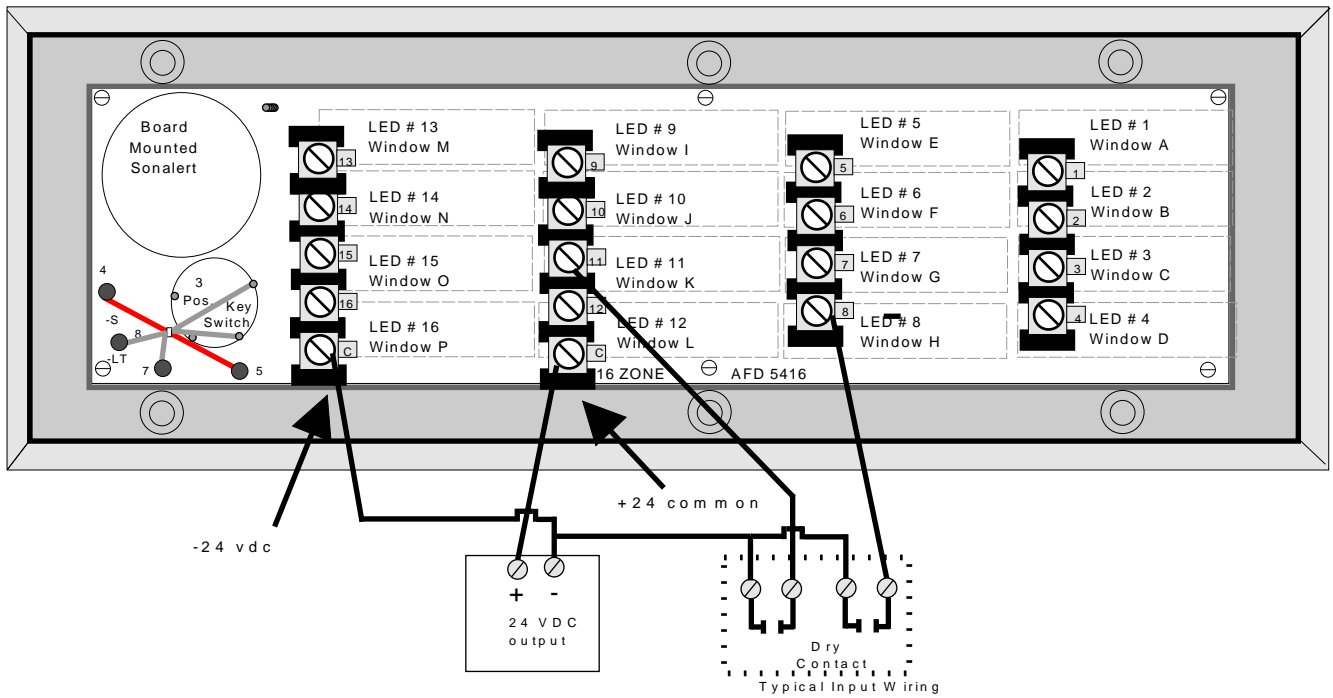
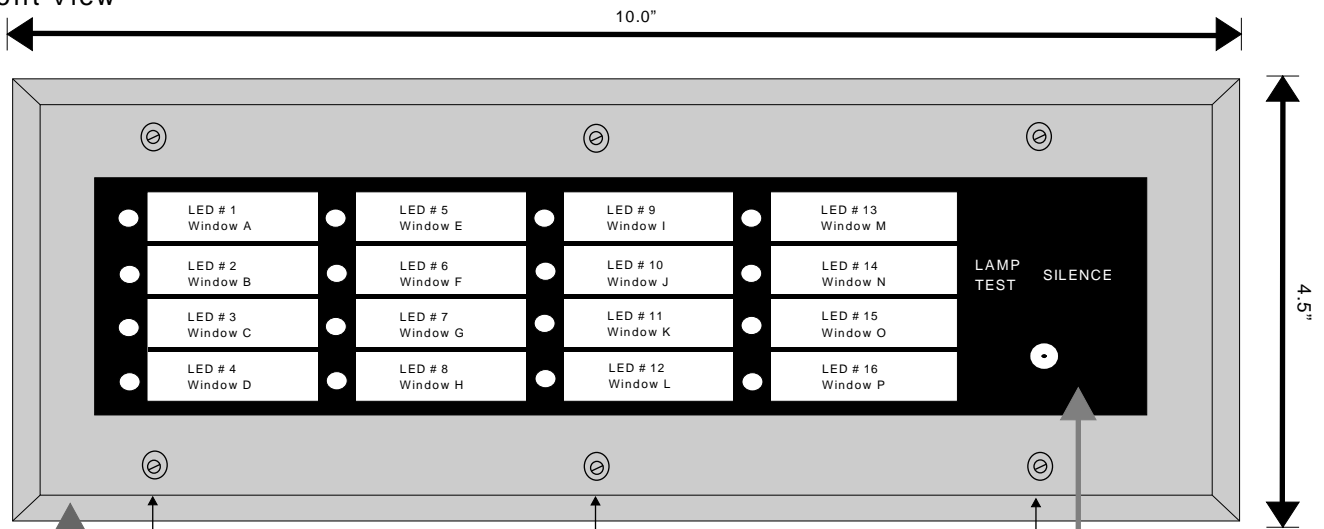


Back View



Front View



Stainless Steel***Mount Unit to electrical box with the six (6) screws included with the unit
 Trim Ring
 **Unit mounts in five (5) gang electrical box supplied by the electrical contractor
 *Piezo sounder is board mounted

Three Position Key Switch
 Momentary Left= Lamp Test
 Momentary Right = Silence
 Center= Normal Operation