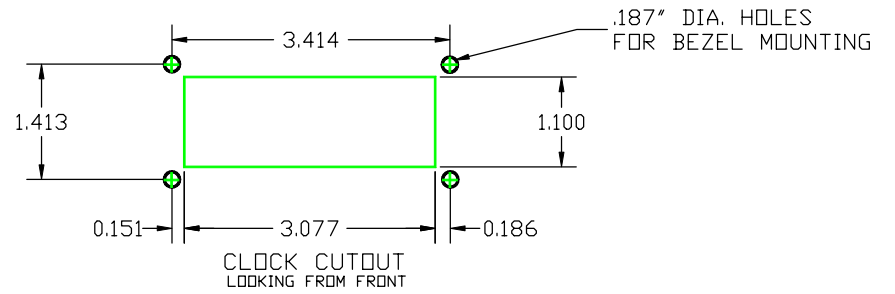
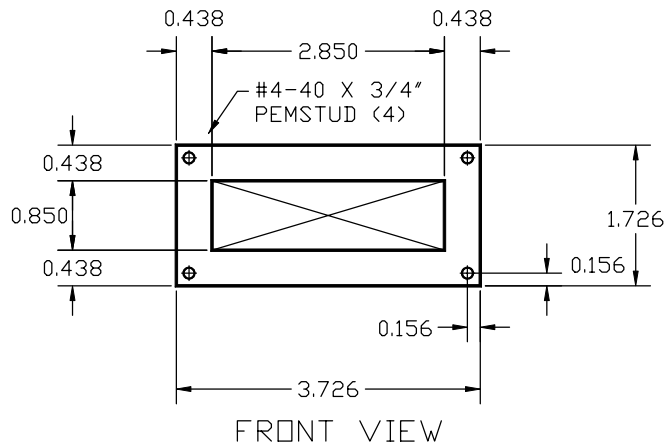


8 7 6 5 4 3 2 1

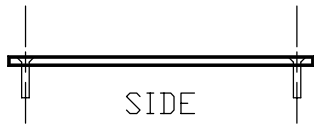
D



C



B



A

- NOTES:
1. MATERIAL: 16 GA. CRS
  2. FINISH: BAKED AND TEXTURED BLACK ENAMEL

<b>FD</b> AUTOMATION DISPLAYS INC.	
MECHANICAL DRAWING BEZEL FOR DIGITAL DISPLAY	
A   DRAWN BY: SMS/RPL	DWG # BEZEL3726
DATE: 17 JUNE 2004	SHEET 1 OF 1

8 7 6 5 4 3 2 1