



# CD24 Countdown Timer



The CD24 countdown timer has two 0.8" (20.3 mm) red LED digits. The heavy stainless steel bezel fastens to a standard 3-gang electrical box.

The timer counts down in seconds from a preset value which can be set up to 99 seconds using switches on the back of the assembly. The timer operates on 24 volts DC, drawing a maximum of 100 milliamps..

Low-true inputs are provided for Start, Pause, and Reset functions. A dry contact closes when the countdown reaches zero.

Customer's wiring connections are made to an eight-position pluggable screw terminal connector.

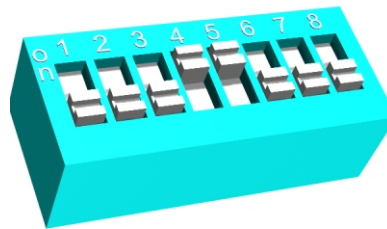
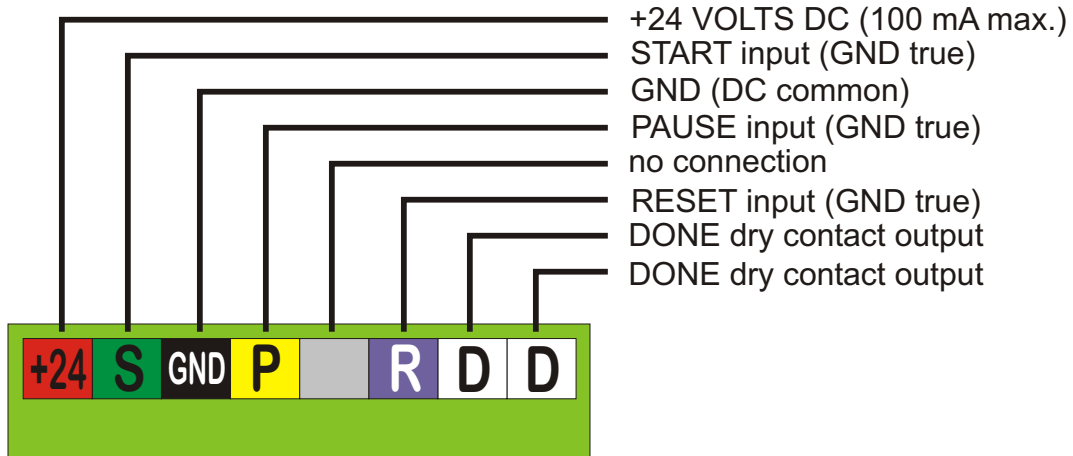
INPUTS			OUTPUT	TIMER FUNCTION
Start	Pause	Reset	Done	
off	off	off	off	Display initial value
off	off	ON	off	Display 10
off	ON	off	ON if count=00	Stopped
off	ON	ON	ON if count=00	Stopped
ON	off	off	ON if count=00	Countdown
ON	off	ON	ON if count=00	Countdown from 10
ON	ON	off	ON if count=00	Stopped
ON	ON	ON	ON if count=00	Stopped

Automation Displays, Inc.

3533 N. White Avenue, Eau Claire, WI 54703

Telephone: (715) 834-9595 Fax: (715) 834-9596 www.adipanel.com email:adi@adipanel.com

CD24 blurp.cdr 15 Dec 2008

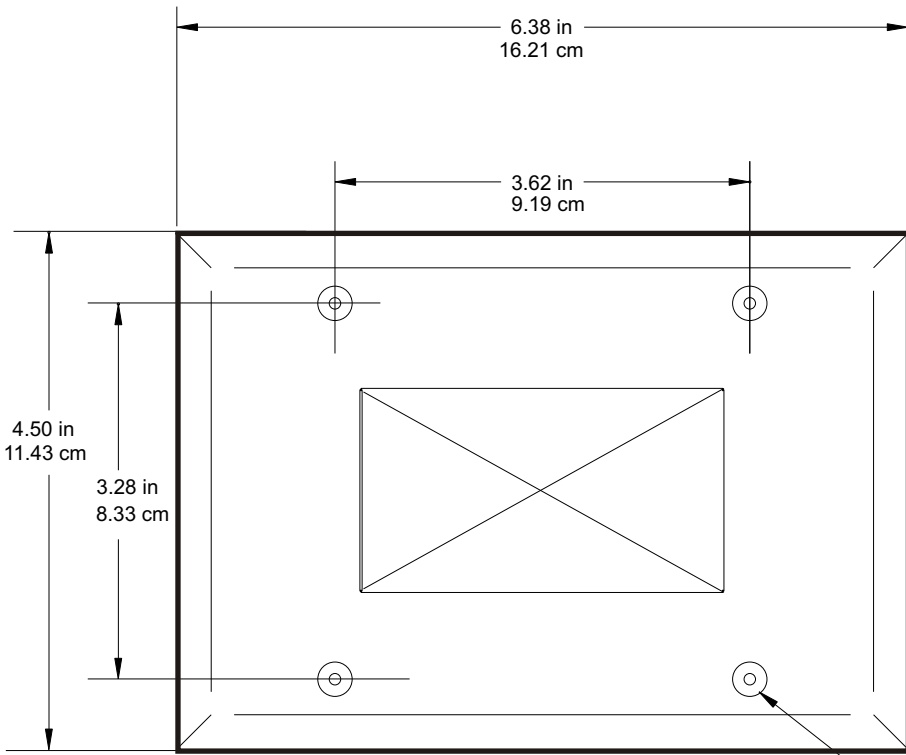


### DIP SWITCH SETTINGS

#### MOST SIG DIGIT

#### LEAST SIG DIGIT

sw 1	sw 2	sw 3	sw 4	value	sw 5	sw 6	sw 7	sw 8	value
off	off	off	off	0	off	off	off	off	0
off	off	off	on	1	off	off	off	on	1
off	off	on	off	2	off	off	on	off	2
off	off	on	on	3	off	off	on	on	3
off	on	off	off	4	off	on	off	off	4
off	on	off	on	5	off	on	off	on	5
off	on	on	off	6	off	on	on	off	6
off	on	on	on	7	off	on	on	on	7
on	off	off	off	8	on	off	off	off	8
on	off	off	on	9	on	off	off	on	9
on	off	on	off		on	off	on	off	
on	off	on	on		on	off	on	on	
on	on	off	off		on	on	off	off	
on	on	off	on		on	on	off	on	
on	on	on	off		on	on	on	off	
on	on	on	on		on	on	on	on	



NOTES:

1. MATERIAL: .045" (1.14 mm) STAINLESS STEEL
2. FINISH: HORIZONTAL GRAIN

COUNTERSINK FOR #6  
OVAL HEAD SCREW (4)