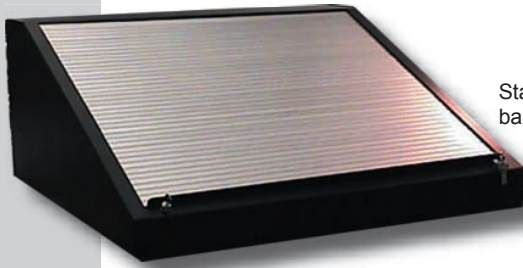


ADI SPECIFICATION SHEET

Roll Top Turrets

Part No. AFD-K646A



Standard finish -
baked and textured black

Feature

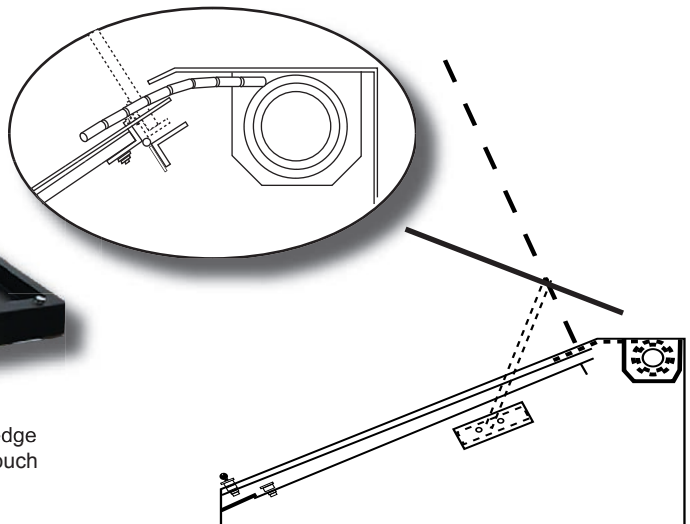
- Turret is 12 gauge cold rolled steel
- Roll top front plates are interlocking extruded aluminum
- Roll mechanism is a multi-spring design
- Helical torsion springs used in this design facilitate easy movement
- Spring life expectancy is 1,000,000 cycles
- Cover locks are high security Medeco key locks
- Turret finish - baked and textured black
- Control panel sold separately
- Dimensions: 40"w x 36"d x 15"h



Medeco high security key locks



Spring loaded roll mechanism tucked under the top edge of the turret. Roll top turret shown with Auto-Face V touch switch control panel.



Automation Displays, Inc.

3533 N. White Avenue, Eau Claire, WI 54703

Telephone:(715) 834-9595 Fax:(715) 834-9596 www.adipanel.com email:adi@adipanel.com

Rolltop_turret_std.indd 0906