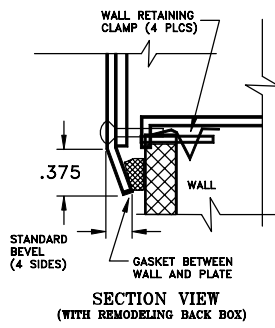
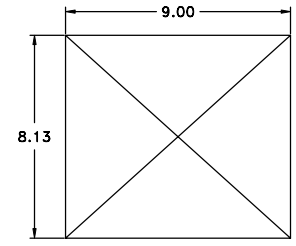


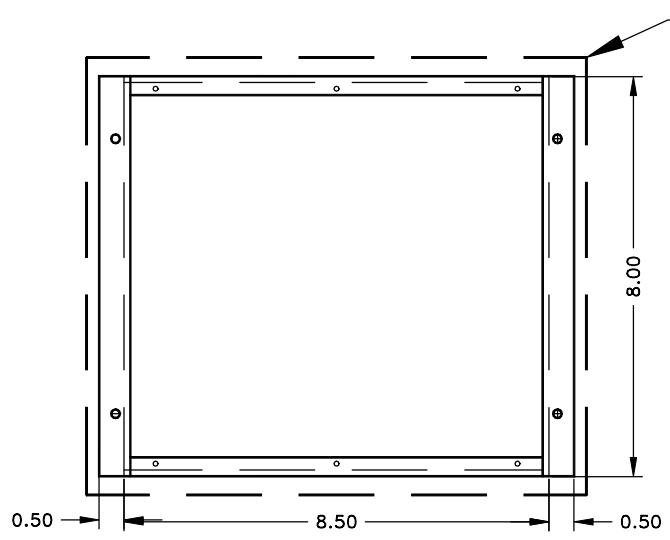
SIDE



SECTION VIEW  
(WITH REMODELING BACK BOX)

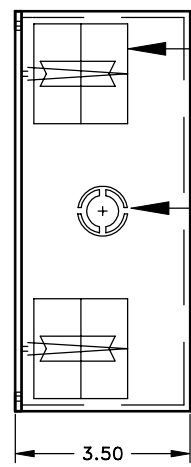


SUGGESTED WALL CUTOUT



FRONT

LINE OF FRONT PANEL (K023A)  
SHOWN DOTTED



SIDE

CLAMPING DEVICE CLIP TO LOCK  
BOX TO WALL (BY ADI)  
4 REQ'D-2 EACH SIDE

DOUBLE KNOCKOUT (4)  
ONE ON EACH SIDE  
7/8" & 1 1/8" DIA.  
(FOR 1/2" & 3/4" CONDUIT)

RETRO-FIT BACK BOX DETAILS  
(FOR REMODELING PROJECTS)

<b>FD</b> AUTOMATION DISPLAYS INC.			
ENVIRONMENTAL CONTROL PANEL			
D	DRAWN BY SMS	RETROFIT CONSTRUCTION BACK BOX	
SCALE	DATE 5/17/08	REV NO.	DRAWING NO. K023-101